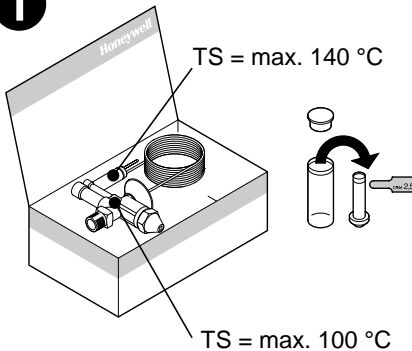


## TMV, TMVX, TMVBL, TMVXBL

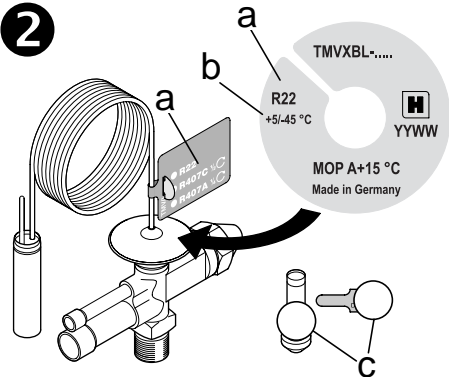
Einbau-Anleitung • Installation instructions • Instructions de montage  
Istruzioni per il montaggio • Instrucciones de instalación

**1**



PS = max. 29 bar  
P<sub>test</sub> = max. 32 bar  
 $\Delta t_{oh, stat} \approx 3 \text{ K}$

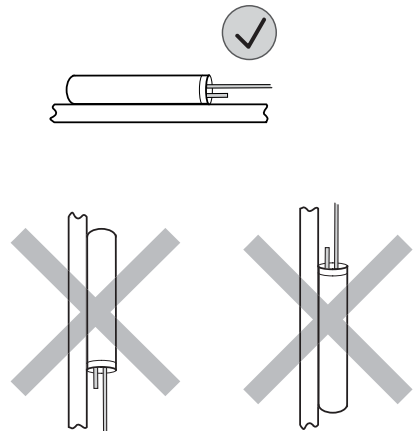
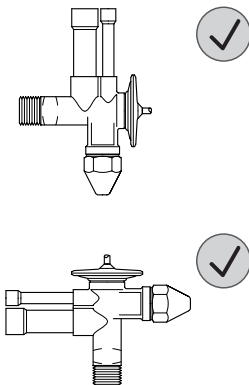
**2**

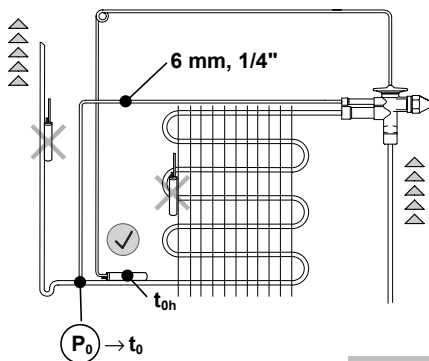
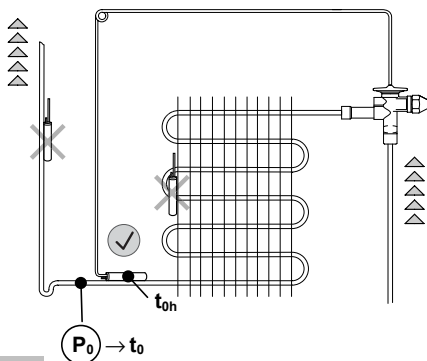


- a) R22, R407C, R407A  
R134a, R401A, R12  
R404A, R507, R402A, R407B, R502
- b)  $t_{0, max} / t_{0, min}$
- c) 0.3 - 4.75

**3**

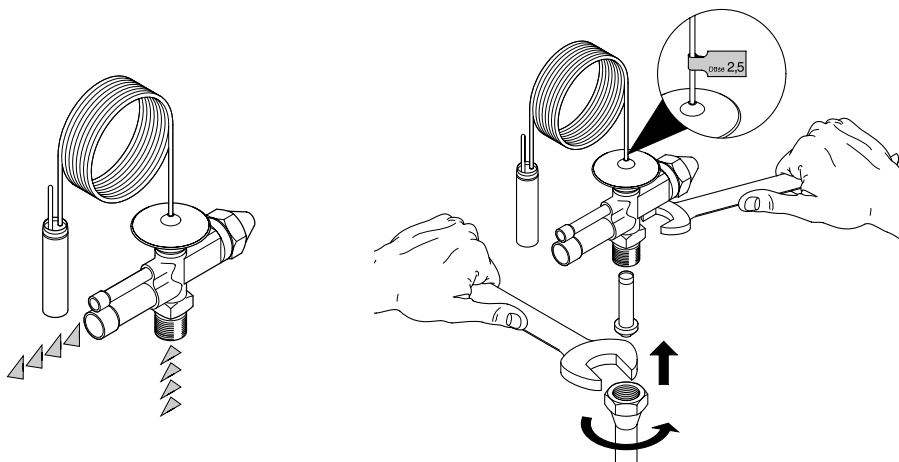
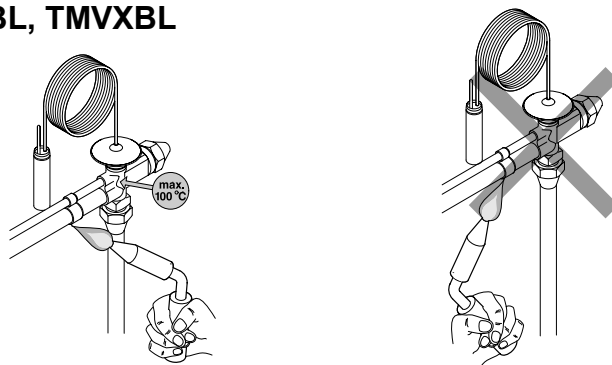
§ EN 378

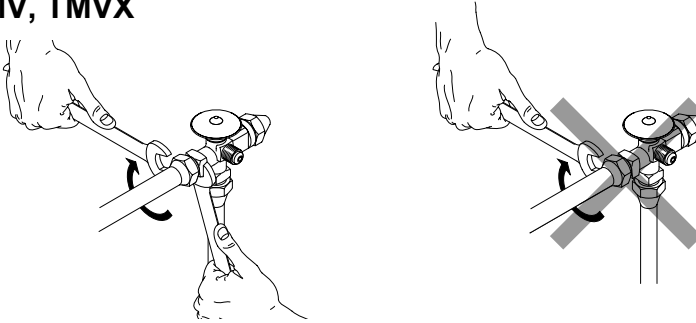
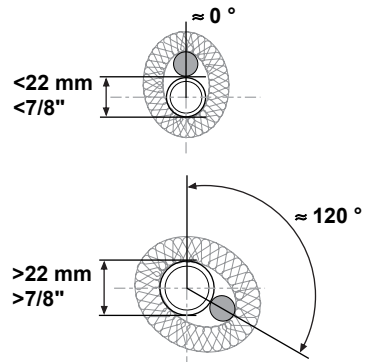
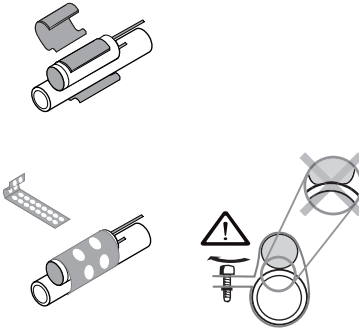
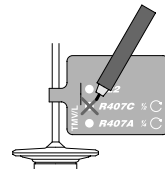
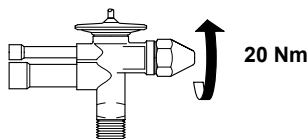
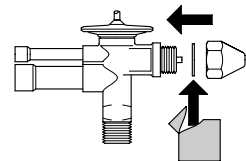
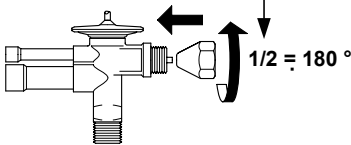
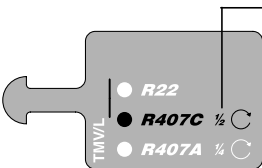
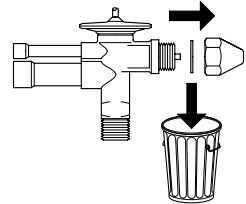
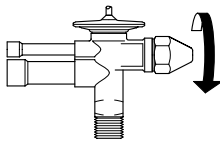


**4****TMVX, TMVXBL****TMV, TMVBL**

$$\Delta t_{0h} = t_{0h} - t_0$$

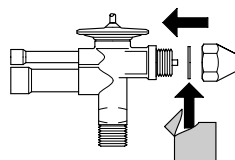
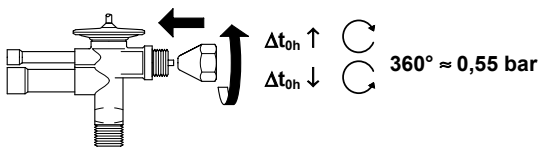
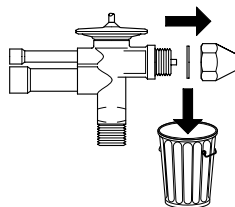
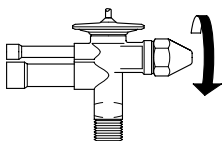
$$\Delta t_{0h} \neq \text{OK} \Rightarrow \text{Ⓢ}$$

**5****6****TMVBL, TMVXBL**

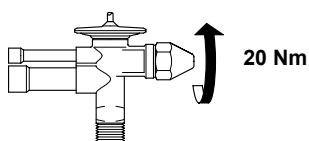
**7****TMV, TMVX****8****9**

10

$\Delta t_{oh} \neq ok$



TMV-9-0004, ZE-00017



$\Delta t_{oh} \uparrow \Rightarrow MOP \downarrow$   
 $\Delta t_{oh} \downarrow \Rightarrow MOP \uparrow$

# Honeywell

**Automation and Control Solutions**  
Honeywell GmbH  
Hardhofweg • 74821 Mosbach / Germany  
Phone: +49 (0) 62 61 / 81-475  
Fax: +49 (0) 62 61 / 81-461  
E-Mail: [Cooling.Mosbach@honeywell.com](mailto:Cooling.Mosbach@honeywell.com)  
[www.honeywell-cooling.com](http://www.honeywell-cooling.com)

Manufactured for and on behalf of the  
Environment and Combustion Controls  
Division of Honeywell Technologies Sàrl,  
Ecublens, Route du Bois 37, Switzerland  
by its authorised representative Honeywell GmbH