



Braukmann FY69P

Grey cast iron Y-strainer
with flange connections

APPLICATION

FY69P strainers are used in commercial and industrial applications, as well as for central water supply systems within the limits of their specifications.

They protect systems against malfunction and corrosion damage resulting from the ingress of foreign bodies such as welding beads, sealing materials, metal cuttings and rust etc. This extends the life of the downstream system and prevents early failure.

SPECIAL FEATURES


- LEAD FREE: Pb content of all materials less than 0.1 %
- Low flow resistance because of good dynamic flow design of body
- Powder-coated inside and outside - Powder used is physiologically and toxicologically safe
- Stainless steel construction gives double sieve good corrosion resistance
- Large strainer mesh surface area provides high dirt acceptance capacity
- Sieve carrier ensures good sealing within housing
- Dirt particles or condensate in compressed air systems can be flushed out with blanking plug removed
- Easy removal of sieve for cleaning



TECHNICAL DATA

| | |
|------------------------------------|---|
| Media | |
| Medium: | Water, oil, compressed air and other non-aggressive mediums |
| Connections/Sizes | |
| Connection sizes: | DN15 - DN200 |
| Pressure values | |
| Max. operating pressure: | 16 bar for water, oil and compressed air |
| Operating temperatures | |
| Max. operating temperature medium: | 85 °C |
| Specifications | |
| Installation position: | In horizontal or vertical pipework with blanking plug downwards |

CONSTRUCTION

| Overview | Components | Materials |
|---|--|---|
|  | 1 Housing with PN 16 flanges to DIN 2533 | Grey cast iron |
| | 2 Double sieve with mesh size approximately 0.50 mm and with mesh carrier | Stainless steel |
| | 3 Cover plate with blanking plug and sealing ring | Brass cover plate (DN15 - DN50) or steel cover plate (DN65 - DN200) and brass blanking plug |
| Not depicted components: | | |
| | Disc seal ring | Unitec |

METHOD OF OPERATION

The medium flows in the direction of the arrow through the FY69P and passes through the large surface double sieve from inside to outside. Dirt particles are trapped and collected by the double sieve. Accumulated dirt particles can then easily be removed during programmed cleaning of the strainer.

In addition, if a service valve is fitted instead of the blanking plug, collected dirt and/or condensate in compressed air systems can be flushed out without difficulty.

TRANSPORTATION AND STORAGE

Keep parts in their original packaging and unpack them shortly before use.

The following parameters apply during transportation and storage:

| Parameter | Value |
|---------------------------------|--------------------------|
| Environment: | clean, dry and dust free |
| Min. ambient temperature: | 5 °C |
| Max. ambient temperature: | 55 °C |
| Min. ambient relative humidity: | 25 % * |
| Max. ambient relative humidity: | 85 % * |

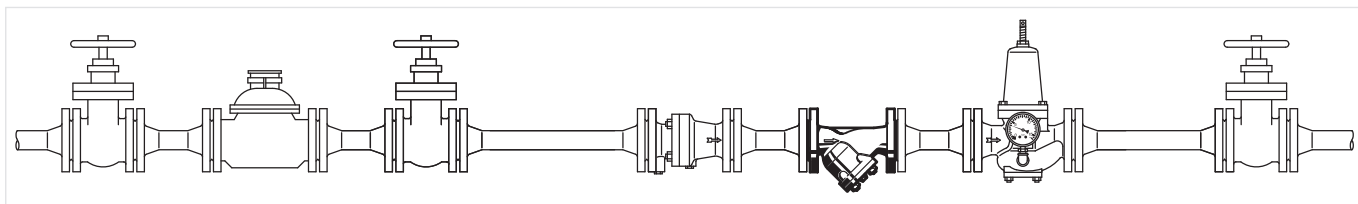
*non condensing

INSTALLATION GUIDELINES

Setup requirements

- If possible install in horizontal pipework with blanking plug downwards
 - This position ensures optimum cleaning efficiency
 - Where installed in rising pipework dirt particles will not collect in strainer
- Install shut-off valves
 - Enables fast cleaning of the strainer
- Ensure good access
 - So that the sieve can be easily removed
 - Simplified maintenance and cleaning

Installation Example



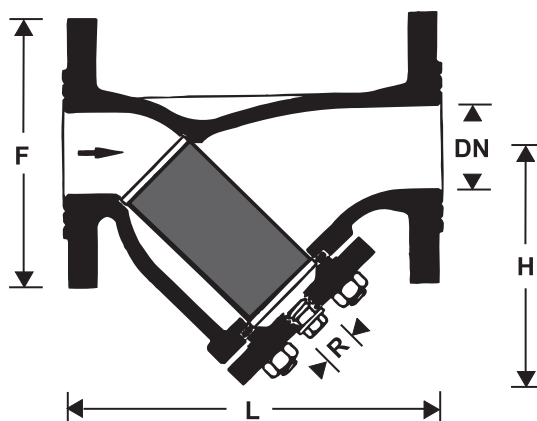
TECHNICAL CHARACTERISTICS

kvs-Values

| Connection sizes: | 15 | 20 | 25 | 32 | 40 | 50 | 65 | 80 | 100 | 125 | 150 | 200 |
|---|-----|-----|------|------|------|-----|-----|-----|-----|-----|-----|-----|
| Zeta-value: | 3.4 | 3.5 | 2.9 | 2.1 | 3.6 | 2.7 | 2.5 | 2.9 | 4.4 | 4.4 | 5.7 | - |
| k _{vs} -value (m ³ /h): | 4.9 | 8.5 | 14.6 | 22.3 | 33.5 | 61 | 107 | 151 | 190 | 297 | 378 | - |

DIMENSIONS

Overview



| Parameter | | Values | | | | | | | | | | | |
|----------------|----|--------|------|------|------|------|------|------|------|-----|-----|-----|-----|
| Nominal sizes: | DN | 15 | 20 | 25 | 32 | 40 | 50 | 65 | 80 | 100 | 125 | 150 | 200 |
| Weight: | kg | 2.0 | 2.6 | 3.8 | 6.3 | 7.4 | 10.4 | 15 | 22 | 30 | 45 | 66 | 144 |
| Dimensions: | L | 130 | 150 | 160 | 180 | 200 | 230 | 290 | 310 | 350 | 400 | 480 | 600 |
| | H | 64 | 83 | 90 | 108 | 120 | 143 | 179 | 203 | 222 | 267 | 320 | 382 |
| | R | 3/8" | 3/8" | 3/8" | 3/8" | 3/8" | 3/8" | 1/2" | 1/2" | 1" | 1" | 1" | 1" |
| | F | 95 | 105 | 115 | 140 | 150 | 165 | 185 | 200 | 220 | 230 | 285 | 340 |

Note: All dimensions in mm unless stated otherwise.

ORDERING INFORMATION

The following tables contain all the information you need to make an order of an item of your choice. When ordering, please always state the type, the ordering or the part number.

Options

The strainers are available in the following sizes: DN15 - DN200.

- standard
- not available

| | | FY69P-...A | FY69P-...ZA |
|------------------|---|------------|-------------|
| Connection type: | with double sieve, mesh size approx. 0.50 mm | • | - |
| | with double sieve, mesh size approx. 1.00 mm* | - | • |

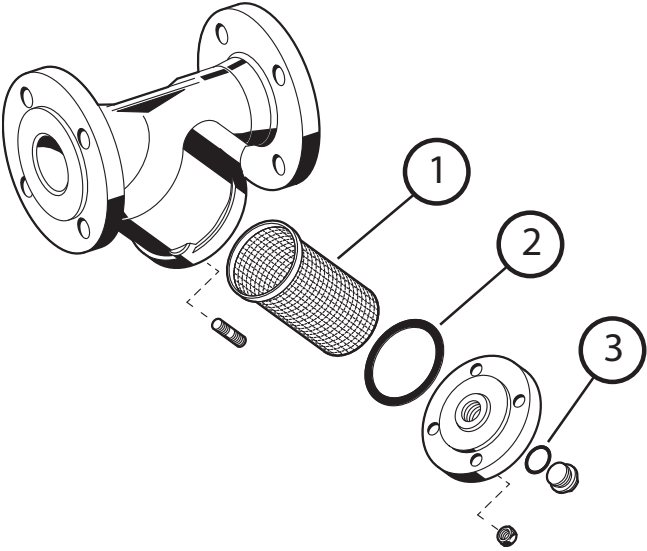
* for DN50, DN65, DN80 only

Note: ... = space holder for connection size

Note: Ordering number example for DN50 and type A valve: FY69P-50A

Spare Parts

FY69P Strainers

| Overview | Description | Dimension | Part No. | |
|--|--|-----------|-----------|--|
|  | 1 Replacement sieve mesh size 0.50 mm | | | |
| | | DN15 | ES69Y-15 | |
| | | DN20 | ES69Y-20 | |
| | | DN25 | ES69Y-25 | |
| | | DN32 | ES69Y-32 | |
| | | DN40 | ES69Y-40 | |
| | | DN50 | ES69Y-50 | |
| | | DN65 | ES69Y-65 | |
| | | DN80 | ES69Y-80 | |
| | | DN100 | ES69Y-100 | |
| | | DN125 | ES69Y-125 | |
| | | DN200 | ES69Y-200 | |
| | Replacement sieve mesh size 1.00 mm | | | |
| | | DN50 | ES69Y-50Z | |
| | | DN65 | ES69Y-65Z | |
| | | DN80 | ES69Y-80Z | |
| | 2 Cover plate seal | | | |
| | | DN15 | 5782400 | |
| | | DN20 | 5782500 | |
| | | DN25 | 5782600 | |
| | | DN32 | 5782700 | |
| | | DN40 | 5782800 | |
| | | DN50 | 5782900 | |
| | | DN65 | 5783000 | |
| | | DN80 | 5783100 | |
| | | DN100 | 5783200 | |
| | | DN125 | 5783300 | |
| | | DN150 | 5783400 | |
| | | DN200 | 5783500 | |
| | 3 Blanking plug seal ring | | | |
| | DN15 | 5783600 | | |
| | DN20 | 5783600 | | |
| | DN25 | 5783600 | | |
| | DN32 | 5783600 | | |
| | DN40 | 5783600 | | |
| | DN50 | 5783600 | | |
| | DN65 | 5782400 | | |
| | DN80 | 5782400 | | |
| | DN100 | 5018000 | | |
| | DN125 | 5018000 | | |
| | DN150 | 5018000 | | |
| | DN200 | 5018000 | | |



Manufactured for
and on behalf of
Pittway Sàrl, Z.A., La Pièce 4,
1180 Rolle, Switzerland

For more information
homecomfort.resideo.com/europe

Ademco 1 GmbH, Hardhofweg 40,
74821 MOSBACH, GERMANY

Phone: +49 6261 810
Fax: +49 6261 81309