



Braukmann FY69P

Grey cast iron Y-strainer
with flange connections

APPLICATION

FY69P strainers are used in commercial and industrial applications, as well as for central water supply systems within the limits of their specifications.

They protect systems against malfunction and corrosion damage resulting from the ingress of foreign bodies such as welding beads, sealing materials, metal cuttings and rust etc. This extends the life of the downstream system and prevents early failure.

SPECIAL FEATURES

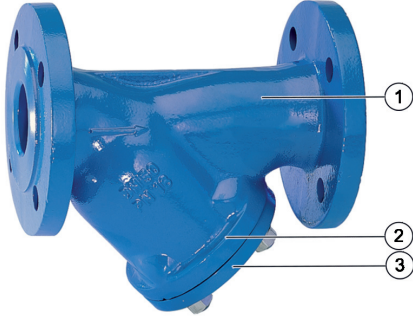
- Low flow resistance because of good dynamic flow design of body
- Powder-coated inside and outside - Powder used is physiologically and toxicologically safe
- Stainless steel construction gives double sieve good corrosion resistance
- Large strainer mesh surface area provides high dirt acceptance capacity
- Sieve carrier ensures good sealing within housing
- Dirt particles or condensate in compressed air systems can be flushed out with blanking plug removed
- Easy removal of sieve for cleaning



TECHNICAL DATA

Media	
Medium:	Water, oil, compressed air and other non-aggressive mediums
Connections/Sizes	
Connection sizes:	DN15 - DN200
Pressure values	
Max. operating pressure:	16 bar for water, oil and compressed air
Operating temperatures	
Max. operating temperature medium:	85 °C
Specifications	
Installation position:	In horizontal or vertical pipework with blanking plug downwards

CONSTRUCTION

Overview	Components	Materials
	1 Housing with PN 16 flanges to DIN 2533	Grey cast iron
	2 Double sieve with mesh size approximately 0.50 mm and with mesh carrier	Stainless steel
	3 Cover plate with blanking plug and sealing ring	Brass cover plate (DN15 - DN50) or steel cover plate (DN65 - DN200) and brass blanking plug
Not depicted components:		
	Disc seal ring	Unitec

METHOD OF OPERATION

The medium flows in the direction of the arrow through the FY69P and passes through the large surface double sieve from inside to outside. Dirt particles are trapped and collected by the double sieve. Accumulated dirt particles can then easily be removed during programmed cleaning of the strainer.

In addition, if a service valve is fitted instead of the blanking plug, collected dirt and/or condensate in compressed air systems can be flushed out without difficulty.

TRANSPORTATION AND STORAGE

Keep parts in their original packaging and unpack them shortly before use.

The following parameters apply during transportation and storage:

Parameter	Value
Environment:	clean, dry and dust free
Min. ambient temperature:	5 °C
Max. ambient temperature:	55 °C
Min. ambient relative humidity:	25 % *
Max. ambient relative humidity:	85 % *

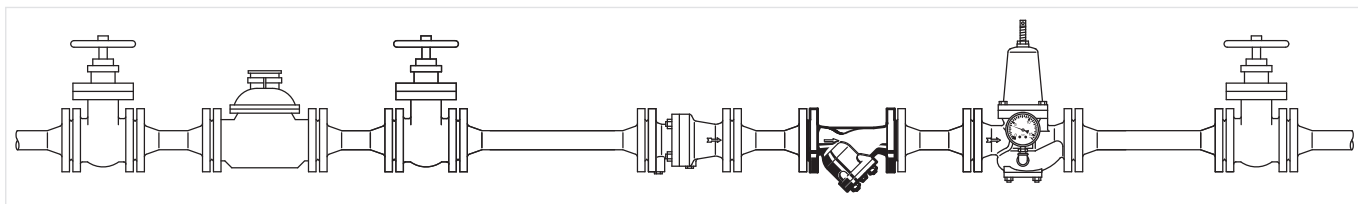
*non condensing

INSTALLATION GUIDELINES

Setup requirements

- If possible install in horizontal pipework with blanking plug downwards
 - This position ensures optimum cleaning efficiency
 - Where installed in rising pipework dirt particles will not collect in strainer
- Install shut-off valves
 - Enables fast cleaning of the strainer
- Ensure good access
 - So that the sieve can be easily removed
 - Simplified maintenance and cleaning

Installation Example



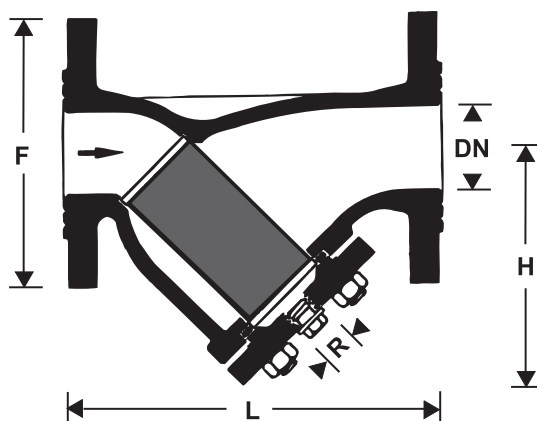
TECHNICAL CHARACTERISTICS

kvs-Values

Connection sizes:	15	20	25	32	40	50	65	80	100	125	150	200
Zeta-value:	3.4	3.5	2.9	2.1	3.6	2.7	2.5	2.9	4.4	4.4	5.7	-
k _{vs} -value (m ³ /h):	4.9	8.5	14.6	22.3	33.5	61	107	151	190	297	378	-

DIMENSIONS

Overview



Parameter		Values											
Nominal sizes:	DN	15	20	25	32	40	50	65	80	100	125	150	200
Weight:	kg	2.0	2.6	3.8	6.3	7.4	10.4	15	22	30	45	66	144
Dimensions:	L	130	150	160	180	200	230	290	310	350	400	480	600
	H	64	83	90	108	120	143	179	203	222	267	320	382
	R	3/8"	3/8"	3/8"	3/8"	3/8"	3/8"	1/2"	1/2"	1"	1"	1"	1"
	F	95	105	115	140	150	165	185	200	220	230	285	340

Note: All dimensions in mm unless stated otherwise.

ORDERING INFORMATION

The following tables contain all the information you need to make an order of an item of your choice. When ordering, please always state the type, the ordering or the part number.

Options

The strainers are available in the following sizes: DN15 - DN200.

- standard
- not available

		FY69P-...A	FY69P-...ZA
Connection type:	with double sieve, mesh size approx. 0.50 mm	•	-
	with double sieve, mesh size approx. 1.00 mm*	-	•

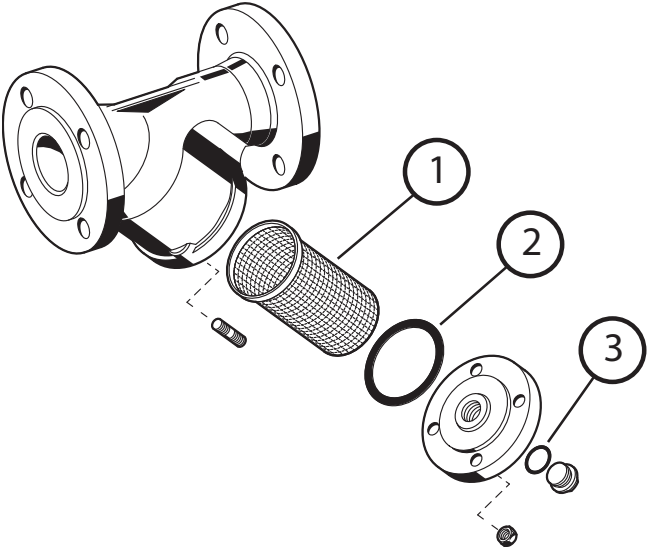
* for DN50, DN65, DN80 only

Note: ... = space holder for connection size

Note: Ordering number example for DN50 and type A valve: FY69P-50A

Spare Parts

FY69P Strainers

Overview	Description	Dimension	Part No.	
	1 Replacement sieve mesh size 0.50 mm			
		DN15	ES69Y-15	
		DN20	ES69Y-20	
		DN25	ES69Y-25	
		DN32	ES69Y-32	
		DN40	ES69Y-40	
		DN50	ES69Y-50	
		DN65	ES69Y-65	
		DN80	ES69Y-80	
		DN100	ES69Y-100	
		DN125	ES69Y-125	
		DN200	ES69Y-200	
		Replacement sieve mesh size 1.00 mm		
			DN50	ES69Y-50Z
			DN65	ES69Y-65Z
			DN80	ES69Y-80Z
		2 Cover plate seal		
			DN15	5782400
			DN20	5782500
			DN25	5782600
			DN32	5782700
			DN40	5782800
			DN50	5782900
			DN65	5783000
			DN80	5783100
			DN100	5783200
			DN125	5783300
			DN150	5783400
			DN200	5783500
		3 Blanking plug seal ring		
			DN15	5783600
			DN20	5783600
			DN25	5783600
		DN32	5783600	
		DN40	5783600	
		DN50	5783600	
		DN65	5782400	
		DN80	5782400	
		DN100	5018000	
		DN125	5018000	
		DN150	5018000	
		DN200	5018000	



Manufactured for and on behalf of
 Pittway Sàrl, Z.A., La Pièce 4,
 1180 Rolle, Switzerland
 by its authorised representative
 Ademco 1 GmbH

For more information
homecomfort.resideo.com/europe
 Ademco 1 GmbH, Hardhofweg 40,
 74821 MOSBACH, GERMANY
 Phone: +49 6261 810
 Fax: +49 6261 81309