



EWA100 M-Bus Series

M-Bus Module for EW100 Water Meter

APPLICATION

The EWA100 add-on modules are intended to retrofit the Honeywell Home EW100... compact water meters for use in the Honeywell Home Walk-By and Honeywell Home AMR systems.

This add-on module receive the data from the EW100 water meters and transmits them to the M-Bus system.

A built-in optical sensor detects the revolution of the sweep hand indicating the liter.

APPROVALS

- CE marked

SPECIAL FEATURES

- State-of-the-art built-in optical sensor
- Detection of reverse flow
- The module transmits via M-Bus the current reading and other information such as the periodic reading, 13 historical reading, backflow volume, backflow and leak alarm

TECHNICAL DATA

General Specifications	
Pulse factor:	1 pulse = 1 litre
Bidirectional mode:	Yes
Maximum pulse frequency:	2 Hz
Battery lifetime with M-Bus power supply:	Up to 12 years
Battery lifetime without M-Bus power supply:	1.5 years
Cable length:	1 m
Cable:	Bipolar cable (white and brown); no polarity requirements
Permissible ambient temperature	
Operating temperature:	-10 °C ÷ +55 °C
Storage temperature:	-20 °C ÷ +70 °C

CE Norms and Standards

Environmental class:	C
Electromagnetic class:	E2
Protection Rating:	IP68, resin potted electronic sensor
Output:	M-Bus standard, EN 13757
Reference standards:	EN 61000, EN 14154-3, EN 13757-2, EN 13757-3



Stored data

- ID
- Current reading
- Periodic reading
- 13 historical readings
- Backflow
- Backflow alarm
- Leak alarm

COMMUNICATION AND READOUT

Front Panel Contents



TECHNICAL CHARACTERISTICS

After fitting and sealing of the EWA100C-MBUS module on the EW100 water meter with the kit provided, the activation is performed automatically when the cables are connected to the M-Bus network or during configuration via a micromaster or any M-Bus master.

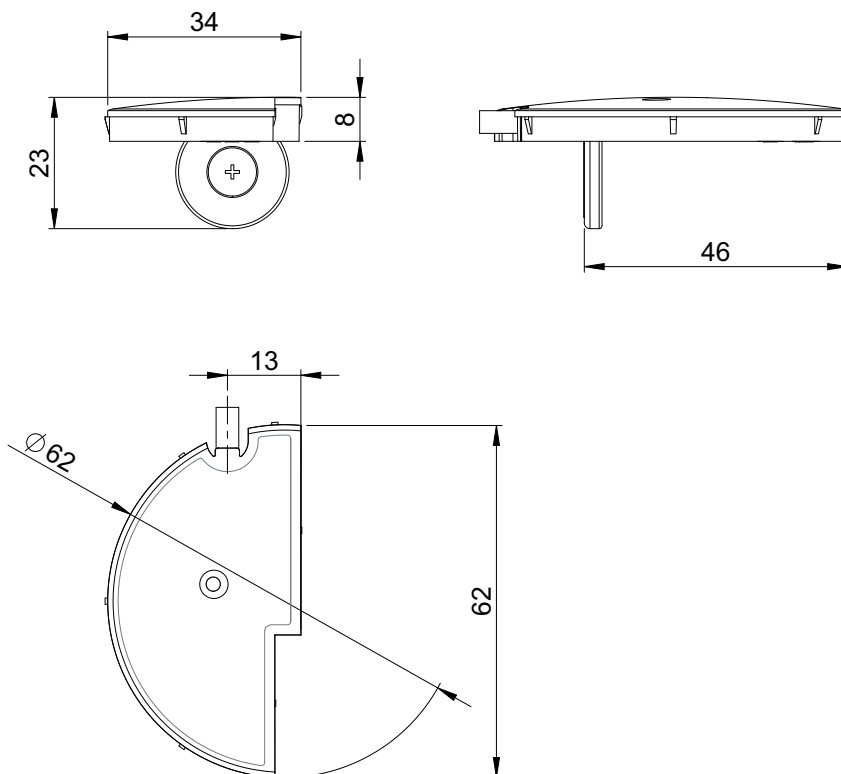
Various M-Bus Configurator software (like Relay MBconf software - www.relay.de) can be used to change the factory settings or align the EWA100C-MBUS module's reading with the EW100 water meter's registration.

Number	Element
1	Serial number as barcode and clear text
2	CE mark and wheelie bin symbol
3	OS Number (order number)
4	Housing

Note: For this, you need the mobile data collector RML5-STD and the readout software ACT46
The readout software can be downloaded from <https://homecomfort.resideo.com/sites/Europe/en-gb/Solutions/Metering/Pages/Metering.aspx>

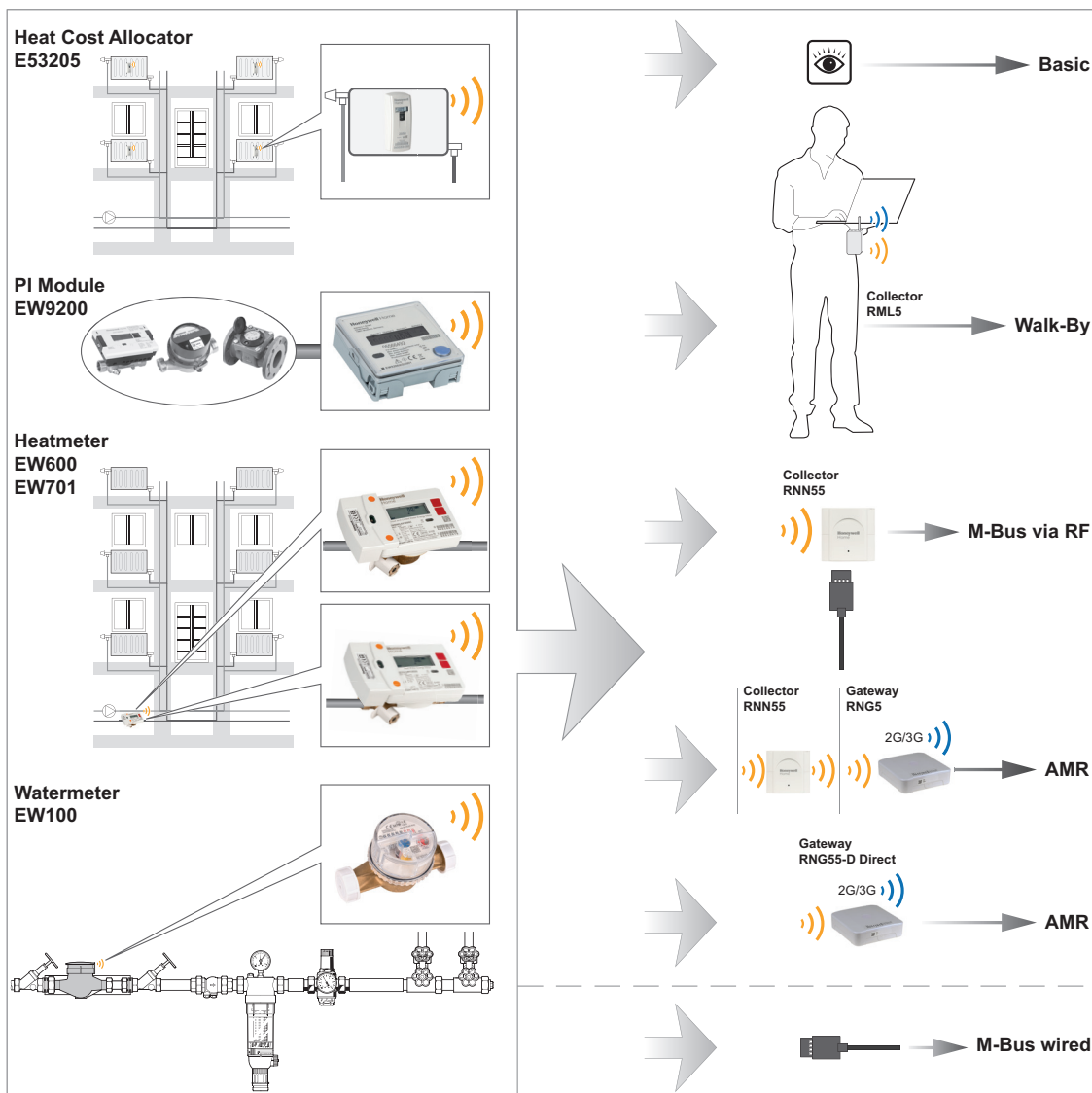
DIMENSIONS

Overview



SYSTEM OVERVIEW

The EW100 water meter can be integrated via the different EWA100 module into various type of system.
 For further variants of systems pls contact your account manager.



ORDERING INFORMATION



The following tables contain all the information you need to make an order of an item of your choice. When ordering, please always state the type, the ordering or the part number.

Options

Retrofittable communication modules, suitable for all EW100 water meter listed down below:

Item:	DN size:	Nominal flow qp m ³ /h:	Length mm:	Ordering Number	EAN Code:
EW100 singlejet water meter for cold drinking water applications	15	2.5	80	EW1000AZ1101	4029289072863
	15	2.5	110	EW1000AZ1201	4029289072870
	20	4	130	EW1000AZ2001	4029289072887
EW100 singlejet water meter for warm drinking water applications	15	2.5	80	EW1001AZ1101	4029289072894
	15	2.5	110	EW1001AZ1201	4029289072900
	20	4	130	EW1001AZ2001	4029289072917

Accessories

	Ordering Number	Description	EAN Code
	EWA100C	Clip on modules	
	EWA100C-MBUS	M-Bus module for M-Bus Network	4029289083784
	WFZ.MBM	Programming adapter	
	WFZ.MBM	Programming adapter for M-Bus Minimaster	4024627093982

For more information

homecomfort.resideo.com/europe



Ademco 1 GmbH
Hardhofweg 40
74821 MOSBACH
GERMANY
Phone: +49 6261 810
Fax: +49 6261 81309

Manufactured for and on behalf of the
Pittway Sàrl, La Pièce 4, 1180 Rolle, Switzerland
by its Authorised Representative Ademco 1 GmbH
EN0H-0459GE23 R0520

Subject to change

© 2020 Pittway Sàrl. All rights reserved.

This document contains proprietary information of Pittway Sàrl and its affiliated companies and is protected by copyright and other international laws. Reproduction or improper use without specific written authorisation of Pittway Sàrl is strictly forbidden. The Honeywell Home trademark is used under license from Honeywell International Inc.

Honeywell Home