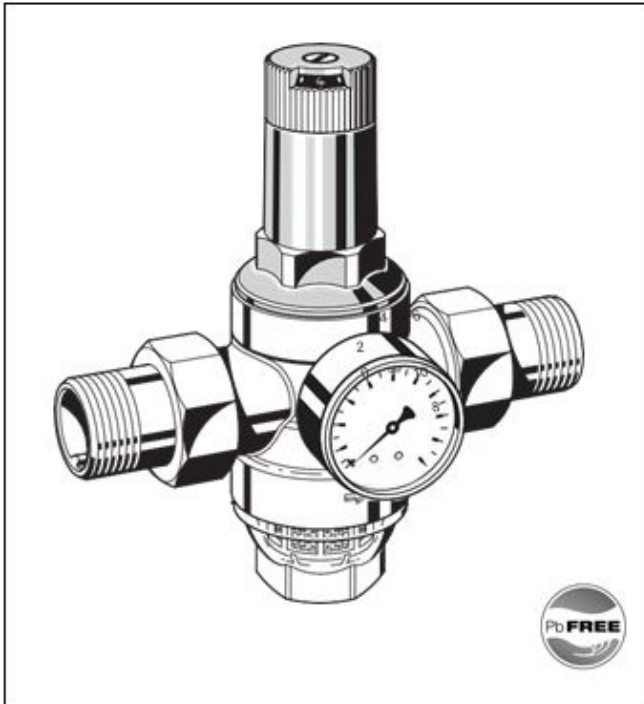


Braukmann

D06F-LF

Leadfree pressure reducing valve with balanced seat
Standard pattern with set point scale

Product specification sheet



Construction

The pressure reducing valve comprises:

- Housing with pressure gauge connections on both sides
- Threaded male connections
- Valve insert complete with diaphragm and valve seat
- Fine filter with 0.16 mm mesh
- Spring bonnet with adjustment knob and setting scale
- Filter bowl
- Adjustment spring
- Pressure gauge not included (see accessories)

Materials

- Leadfree brass housing
- Leadfree brass threaded connections
- High-quality synthetic material valve insert
- Stainless steel fine filter mesh
- High-quality synthetic material spring bonnet with adjustment knob and setting scale
- Clear synthetic filter bowl
- Spring steel adjustment spring
- Fibre-reinforced NBR diaphragm
- NBR and EPDM seals

Application

According EN 802-2 pressure reducing valves of this type protect household water installations against excessive pressure from the supply. They can also be used for industrial or commercial applications within the range of their specification.

By installing a pressure reducing valve, pressurisation damage is avoided and water consumption is reduced.

The set pressure is also maintained constant, even when there is wide inlet pressure fluctuation.

Reduction of the operating pressure and maintaining it at a constant level minimizes flow noise in the installation.

Special Features

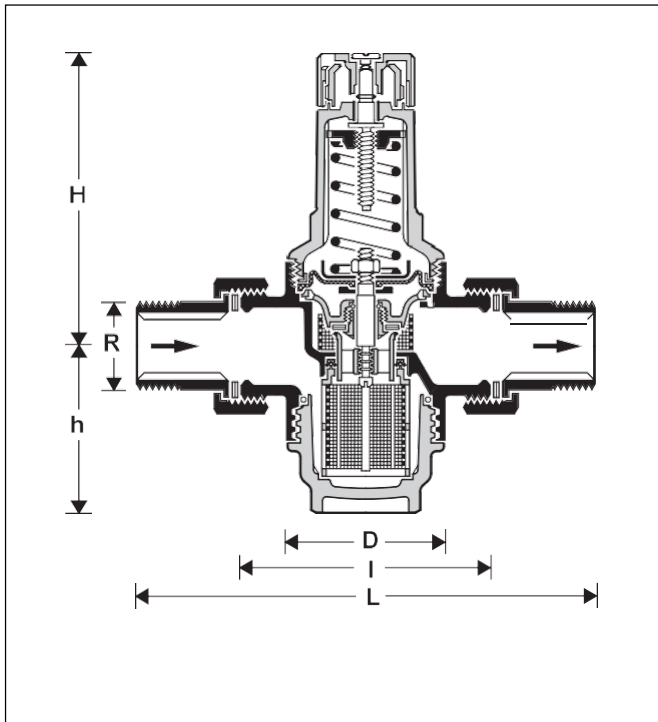
- DVGW, SINTEF and GDV approval in process
- Up to size 1¹/₄" approved for low noise, Group 1 without limitations
- The outlet pressure is set by turning the adjustment knob
- The set pressure is directly indicated on the set point scale
- The adjustment spring is not in contact with the potable water
- The valve insert is of high quality synthetic material and can be fully exchanged
- Integral fine filter
- Easily retrofittable to convert valve to a reverse-rinsing filter combination
- Can be retrofitted with an inlet non-return valve
- Inlet pressure balancing - fluctuating inlet pressure does not influence outlet pressure
- Light weight
- Meets 4MS and UBA-list regulations for potable water

Range of Application

Medium	Water
Inlet pressure	max. 16 bar with clear filter bowl
Outlet pressure	1.5-6.0 bar (preset to 3 bar)

Technical Data

Installation position	Horizontal and vertical installation position possible
Operating temperature	max. 40°C with clear filter bowl
Minimum pressure drop	1 bar
Connection size	1/2" - 2"



Method of Operation

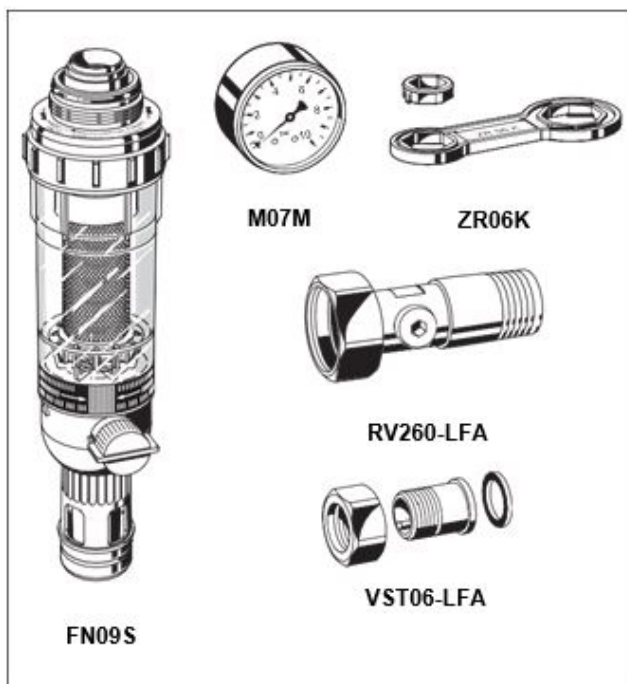
Spring loaded pressure reducing valves operate by means of a force equalising system. The force of a diaphragm operates against the force of an adjustment spring. If the outlet pressure and therefore diaphragm force fall because medium is drawn, the then greater force of the spring causes the valve to open. The outlet pressure then increases until the forces between the diaphragm and the spring are equal again.

The inlet pressure has no influence in either opening or closing of the valve. Because of this, inlet pressure fluctuation does not influence the outlet pressure, thus providing inlet pressure balancing.

Options

D06F-... LFA = External threaded connection set on in- and outlet
 Clear filter bowl up to 40 °C
 Connection size

Connection size	R	1/2"	3/4"	1"	1 1/4"	1 1/2"	2"
Nominal size diameter	DN	15	20	25	32	40	50
Weight	kg	0.8	1.0	1.3	1.4	4.0	5.3
Dimensions	mm						
	L	140	160	180	200	225	255
	I	80	90	100	105	130	140
	H	89	89	111	111	173	173
	h	58	58	64	64	126	126
	D	54	54	61	61	82	82
Kvs-value		2.4	3.1	5.8	5.9	12.6	12.0



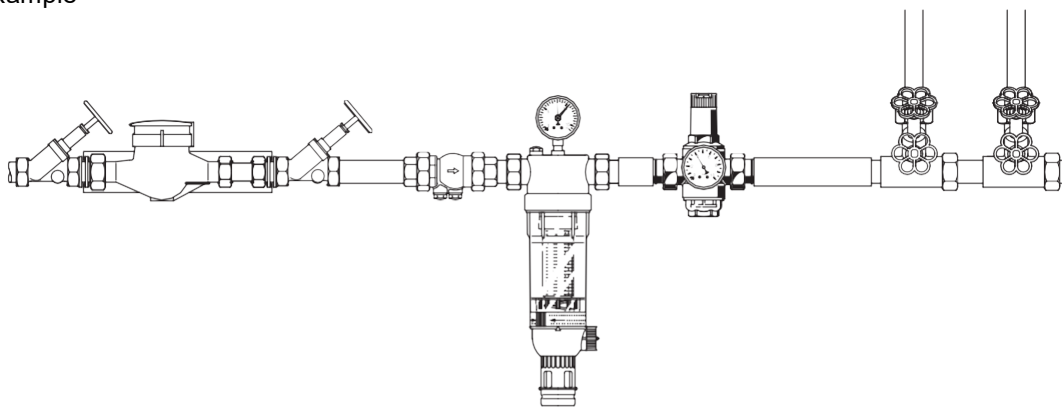
Accessories

- FN09S HABEDO ® Retrofit filter
Reverse-rinsing filter for retro-conversion to a filter combination unit of pressure reducing valves
- M07M Pressure gauge
Housing diameter 63 mm, rear connection thread G1/4". Ranges: 0 - 4, 0 - 10, 0 - 16 or 0 - 25 bar. Please indicate upper value of pressure range when ordering

Bei Einsatz eines Manometers muss die verwendete Dichtung eine Trinkwasser-Zulassung besitzen
- ZR06K Double ring wrench
For removal of spring bonnet and filter bowl
- RV260-LFA Leadfree check valve
Available in sizes R1/2" - 2"
- VST06-LFA Leadfree connection set
Threaded connections

EN0H-1058GE23 R1020 • Subject to change

Installation Example



Connection size	R	1/2"	3/4"	1"	1 1/4"	1 1/2"	2"
	DN	15	20	25	32	40	50
W*	mm	55	55	60	60	70	70

* Minimum distance from wall to centre line of pipework

Installation Guidelines

- Install in horizontal pipework with filter bowl downwards.
- Install shutoff valves
- The device downstream should be protected by means of a safety valve (installed downstream of the pressure reducing valve). In these cases the delivery pressure of the pressure reducing valve shall be set to at least 20% below the response pressure of the pressure relief-valve acc. EN 806-2.
- The installation location should be protected against frost and be easily accessible
 - o Pressure gauge can be read off easily
 - o With clear filter bowl, degree of contamination can be easily seen
 - o Simplified maintenance and cleaning
- For residential applications where maximum protection against dirt is required, install a fine filter upstream of the pressure reducing valve
- Provide a straight section of pipework of at least five times the nominal valve size after the pressure reducing valve (in accordance with EN806-2)

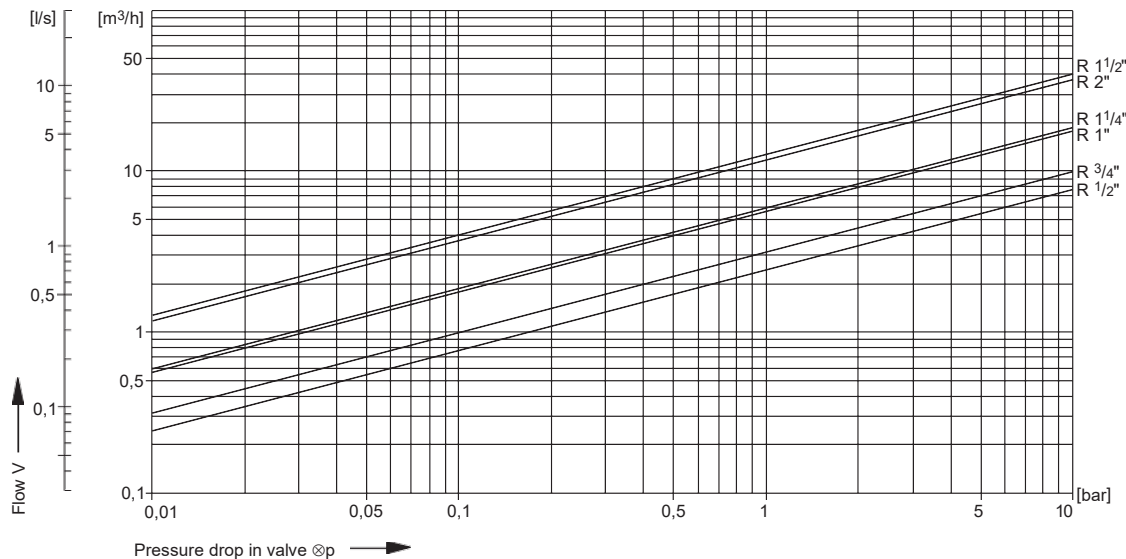
Typical Applications

Pressure reducing valves of this type are suitable for all types of household water installations.

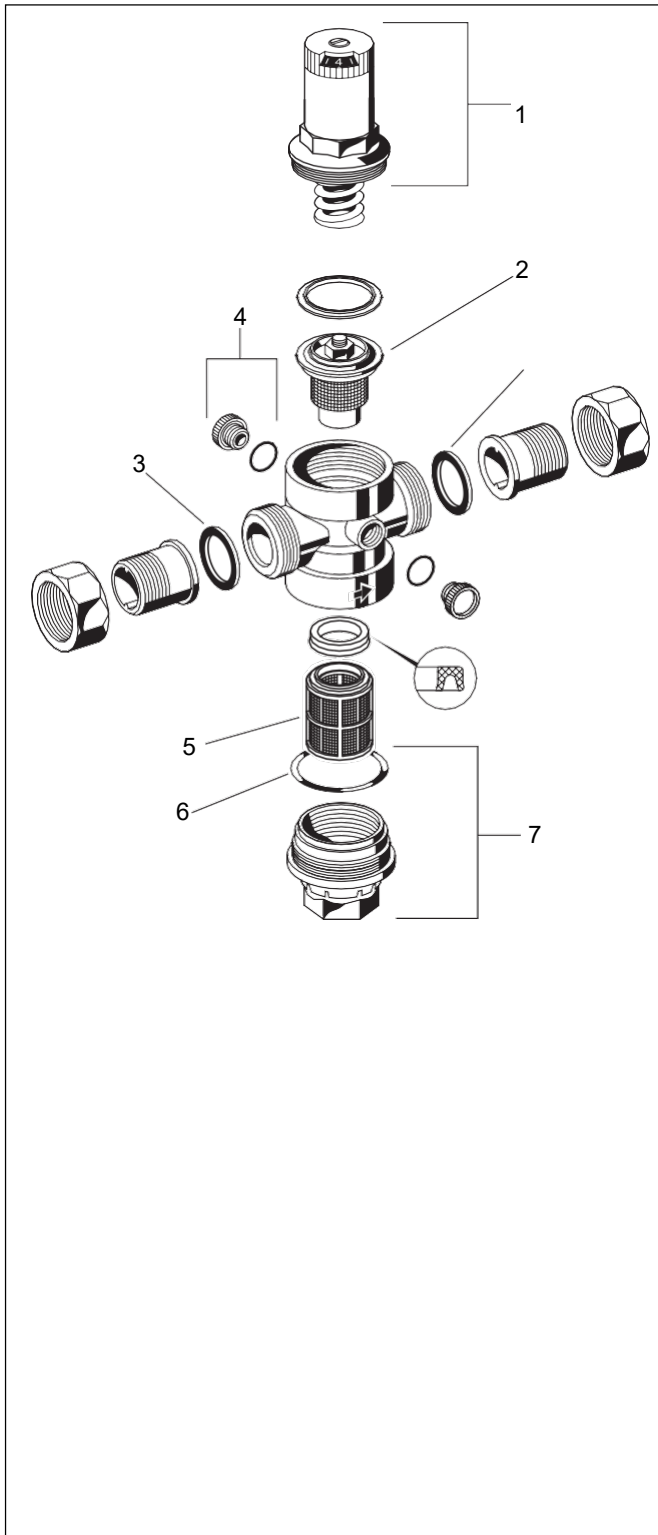
Pressure reducing valves can also be used for industrial and commercial applications within the range of their specifications. Pressure reducing valves should be installed:

- If the static pressure exceeds the maximum permissible value for the system
- If the static pressure upstream of an relief-valve exceeds 75% of its response pressure. The pressure reducing valve shall be installed to achieve the same pressure in cold and hot water systems.
- If the static pressure at take off points exceeds 5.0 bar (in accordance with EN 806-2)
- If several pressure zones are required when a pressurisation system is used (pressure reducers on each storey of a building)
- If pressure fluctuations in the downstream system must be avoided
- To achieve constant inlet and outlet pressures on pumped pressure boosting systems

Flow Diagram



EN0H-1058GE23 R1020 • Subject to change



Spare Parts

Pressure Reducing Valve D06F-LF, from 2015 onwards

No.	Description	Dimension	Part No.
1	Spring bonnet complete with setting scale	$1/2" + 3/4"$	0901515
		$1" + 1 1/4"$	0901516
		$1 1/2" + 2"$	0901518
2	Valve insert complete (without filter)	$1/2" + 3/4"$	D06FI-1/2
		$1" + 1 1/4"$	D06FI-1
		$1 1/2" + 2"$	D06FI-11/2
3	Union seal washer (10 pcs.)	$1/2"$	0901443
		$3/4"$	0901444
		$1"$	0901445
		$1 1/4"$	0901446
		$1 1/2"$	0901447
4	Blanking plug with O- ring R1/4" (5 pcs.)	$2"$	0901448
			S06K-1/4
5	Replacement filter	$1/2" + 3/4"$	ES06F-1/2A
		$1" + 1 1/4"$	ES06F-1B
6	O-ring set (10 pcs.)	$1 1/2" + 2"$	ES06F-11/2A
		$1/2" + 3/4"$	0901246
		$1" + 1 1/4"$	0901499
		$1 1/2" + 2"$	0901248
7	Clear filter bowl with O-ring	$1/2" + 3/4"$	SK06T-1/2
		$1" + 1 1/4"$	SK06T-1B
		$1 1/2" + 2"$	SK06T-11/2