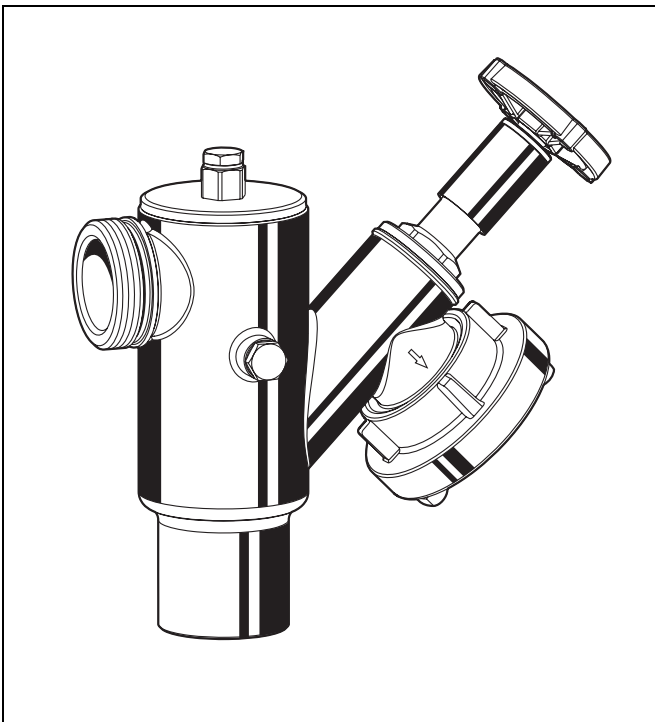


## BA295STN-11/2A

### Backflow Preventer for standpipes

#### Product specification sheet



#### Construction

The backflow preventer consists of:

- Housing
- Integral strainer, mesh size approx. 0.6 mm
- Valve cartridge with integral check valve and discharge valve
- Outlet check valve
- 3 test sockets
- 2 test sockets (3rd is integrated in the optionally available blind plug)
- with C-coupling on outlet
- Integral shut-off and check valve on outlet

#### Materials

- Brass housing, lead-free
- High-quality synthetic material valve cartridge
- High-quality synthetic material and red bronze shutoff facility with check valve
- Sealing elements made of elastomer materials suitable for drinking water

#### Application

Backflow preventers of this type are suitable for the protection of drinking water systems against back pressure, back flow and back syphonage.

They are used to protect the temporary water tapping of standpipes on events or construction sites.

Fluids up to and including liquid category 4 to EN 1717 are protected.

#### Special Features

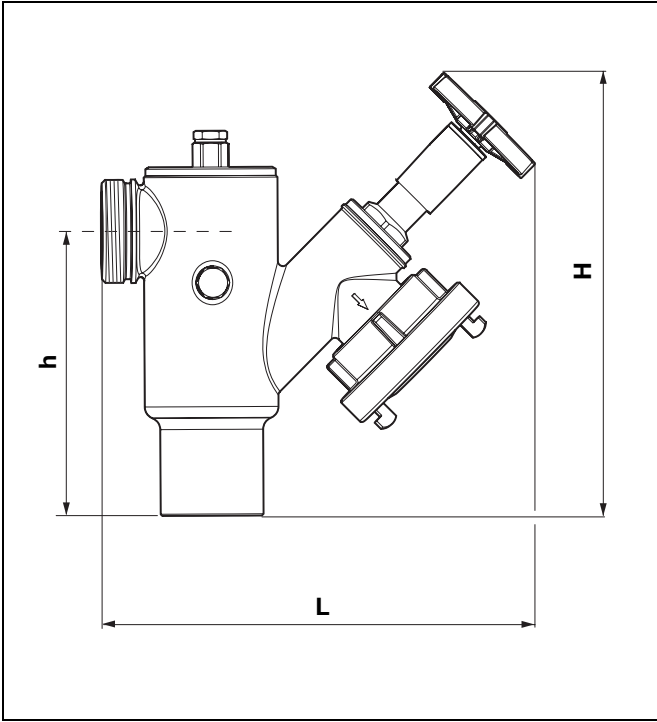
- DVGW-approval requested
- Optimal protection of the drinking water supply system
- Integral inlet strainer
- Inlet check valve and discharge valve are combined in one cartridge
- Minimal maintenance required, because the valve cartridge is completely replaceable
- Optimized design prevents water stagnation
- Compact construction
- Easy access to all internal components
- Low pressure loss and high flow rate
- Triple security - two check valves and a discharge valve separate the backflow preventer into three pressure zones
- Meets KTW recommendations for potable water
- Each tapping can be protected separately

#### Range of Application

Medium	Water
Inlet pressure	max. 10,0 bar
Inlet pressure	min. 1,5 bar

#### Technical Data

Installation position	Horizontal with discharge valve downwards
Max. operating temperature	65°C
Nominal diameter	1 1/2" / DN40



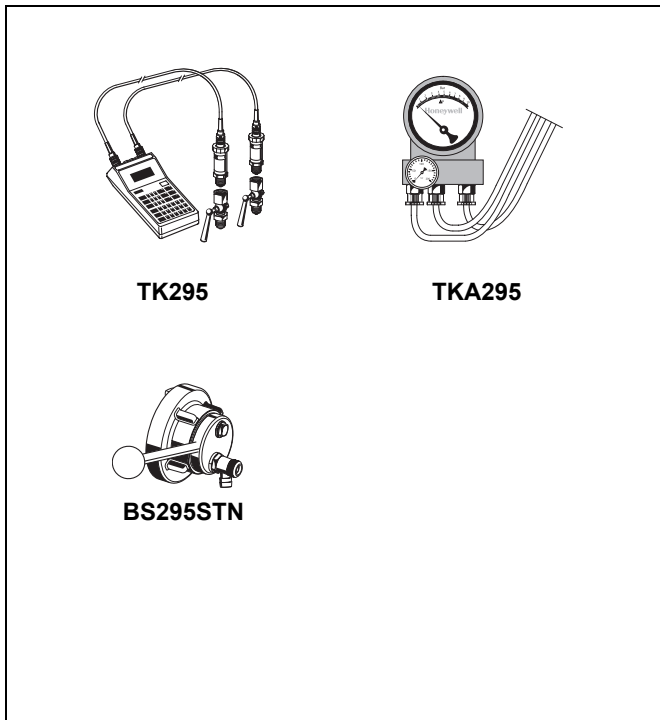
**Method of Operation**

BA type backflow preventers are divided into three pressure zones. The pressure in zone ① is higher than in zone ②, which in turn is higher than in zone ③. A discharge valve is connected to zone ② which opens at the latest when the differential pressure between zones ① and ② falls to 0.14 bar. The water from zone ② discharges to atmosphere. In this way the danger of back pressure or back syphonage into the supply network is prevented. The pipework connection is interrupted and the drinking water network is protected.

**Options**

BA295STN-11/2A = Standard version with C-coupling on outlet

Nominal size diameter	DN	1 1/2" / DN40
Connection size inlet	R	G 2"
Connection size outlet		C-coupling
Weight	kg	3.8
Dimensions	mm	
	L	252
	H	255
	h	165



**Accessories**

**TK295 Test kit**

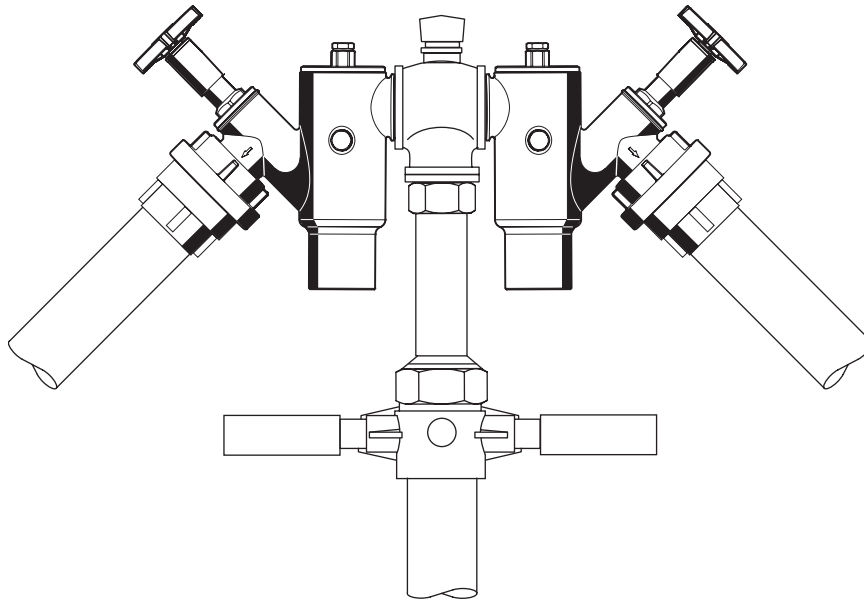
Electronic pressure measuring device with digital indicator, battery-operated. With case and accessories, ideal for inspection and maintenance of backflow preventer type BA.

**TKA295 Test kit**

Analogue pressure measuring device with differential pressure display. With case and accessories, ideal for inspection and maintenance of backflow preventer type BA.

**BS295STN-11/2A Blind plug C-coupling**

With integrated test socket for checking stand-pipe-BA

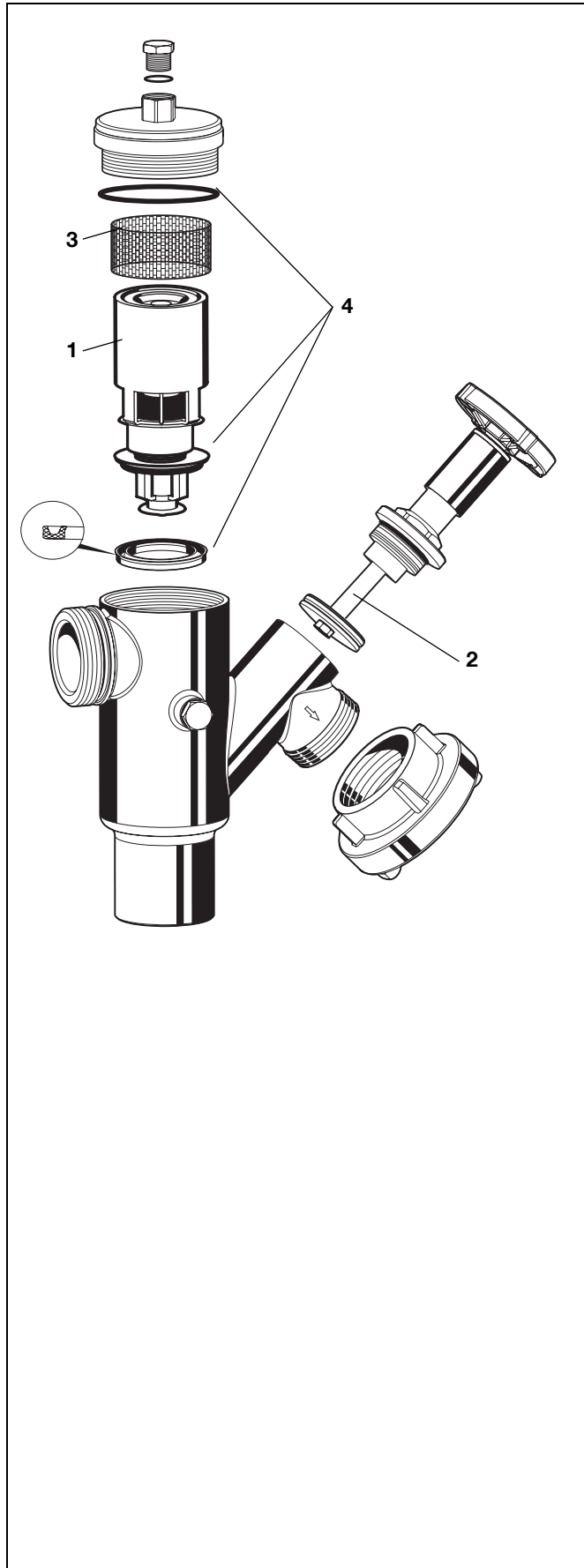
**Installation Example****Installation Guidelines**

- Thoroughly flush pipework before installing the backflow preventer
- The backflow preventer and the distributor head must be connected to one another non-detachably with an - according to the local drinking water standards - approved glue!
- Directly connected to distributor
- Backflow preventers of this type have an integral strainer which protects the device from the ingress of dirt. With highly polluted water a fine filter should be installed upstream to ensure the correct function of the device.
- The installation location should be protected against frost

**Typical Applications**

The following are some typical applications:

- Events like exhibitions, folk festivals, etc.
- Construction sites
- Emergency supply



**Spare Parts**

**Backflow preventer BA295STN-A from 2010 onwards**

**Wearing parts\***

- |          |                           |               |         |
|----------|---------------------------|---------------|---------|
| <b>1</b> | Cartridge insert complete | 1 1/2" / DN40 | 0903745 |
|----------|---------------------------|---------------|---------|

\* Note: Wearing parts are excluded from warranty!

**Spare parts**

- |          |                           |               |                |
|----------|---------------------------|---------------|----------------|
| <b>2</b> | Shutoff facility complete | 1 1/2" / DN40 | AE295STN-11/2A |
| <b>3</b> | Sieve                     | 1 1/2" / DN40 | S295STN-11/2   |
| <b>4</b> | Sealing set               | 1 1/2" / DN40 | DS295STN-11/2  |

**Automation and Control Solutions**

Honeywell GmbH  
 Hardhofweg  
 D-74821 Mosbach  
 Phone: (49) 6261 810  
 Fax: (49) 6261 81309  
<http://europe.hbc.honeywell.com>  
[www.honeywell.com](http://www.honeywell.com)

Manufactured for and on behalf of the  
 Environmental and Combustion Controls Division  
 of Honeywell Technologies Sàrl, Z.A. La Pièce 16,  
 1180 Rolle, Switzerland by its Authorised Repre-  
 sentative Honeywell GmbH

EN0H-1239GE23 R0510  
 Subject to change without notice  
 © 2010 Honeywell GmbH

**Honeywell**