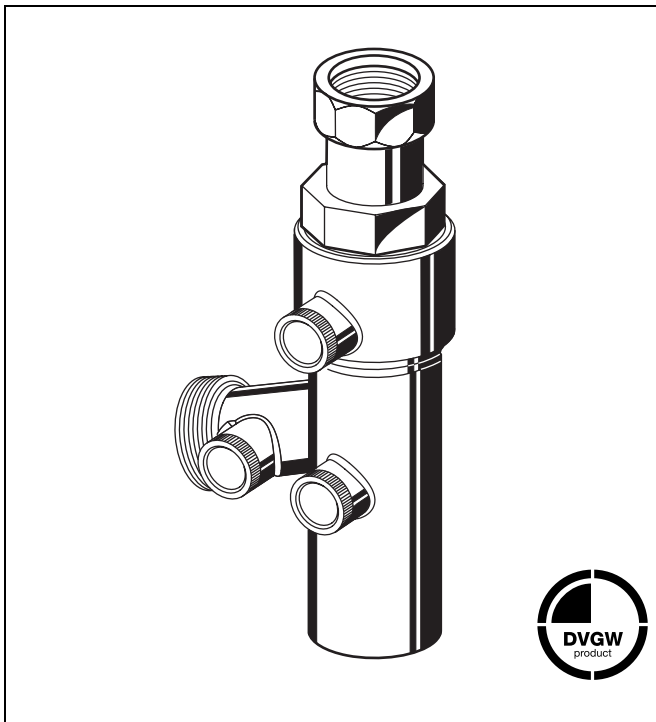


BA295STN-3/4WH

Retrofit Backflow Preventer for tap fittings and armatures

Product specification sheet



Construction

The backflow preventer consists of:

- Chromed housing
- Integral strainer, mesh size approx. 0.4 mm
- Valve cartridge with integral check valve and discharge valve
- Outlet check valve
- 3 test sockets
- Hose connection in 15° off-axis angle to avoid bending of the hose

Materials

- Dezincification resistant brass housing, fully chromed
- High-quality synthetic material valve cartridge
- High-quality synthetic material or red bronze check valves
- Sealing elements made of elastomer materials suitable for drinking water

Application

Backflow preventers of this type are suitable for the protection of drinking water systems against back pressure, back flow and back syphonage.

They are used to protect the water tapping of household taps, outside garden taps or filling taps..

Fluids up to and including liquid category 4 to EN 1717 are protected.

Special Features

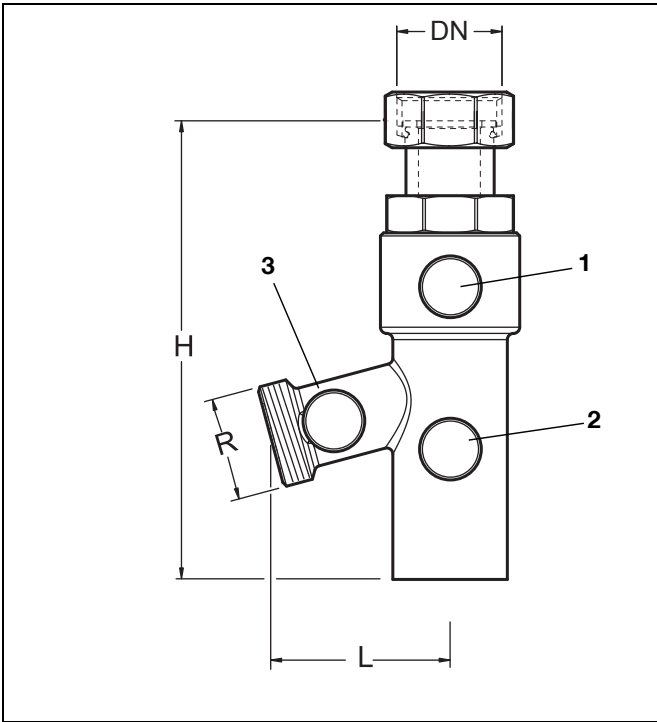
- DVGW approved
- Pivoted top connection
- Optimal protection of the drinking water supply system
- Integral inlet strainer
- Inlet check valve and discharge valve are combined in one cartridge
- Minimal maintenance required, because the valve cartridge is completely replaceable
- Optimized design prevents water stagnation
- Compact construction
- Easy access to all internal components
- Low pressure loss and high flow rate
- Triple security - two check valves and a discharge valve separate the backflow preventer into three pressure zones
- Meets KTW recommendations for potable water
- Easy and quick installation/ retrofit
- Each tapping can be protected separately
- Easy maintenance due to upstream shut-off

Range of Application

Medium	Water
Maximum inlet pressure	10.0 bar
Minimum inlet pressure	1.5 bar

Technical Data

Installation position	Vertical with discharge valve downwards
Max. operating temperature	65 °C
Discharge pipe connection	DN50
Nominal diameter	3/4"



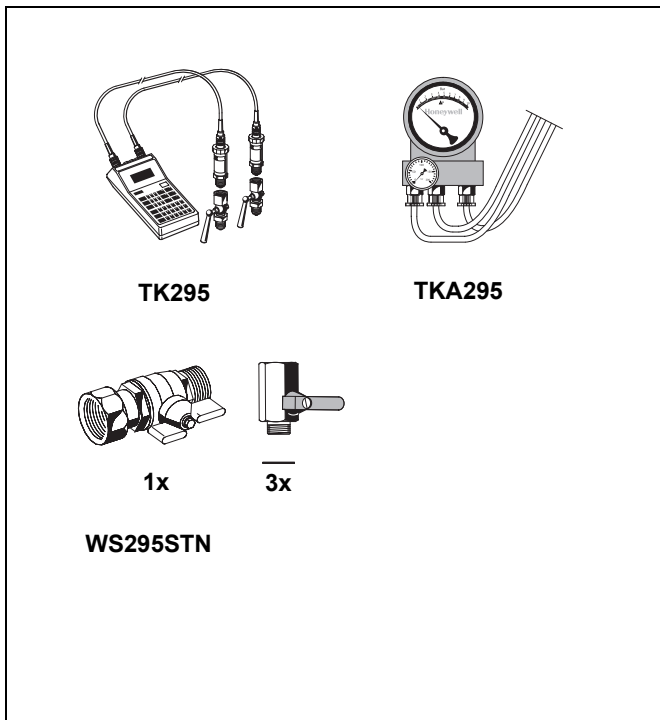
Method of Operation

BA type backflow preventers are divided into three pressure zones. The pressure in zone ① is higher than in zone ②, which in turn is higher than in zone ③. A discharge valve is connected to zone ② which opens at the latest when the differential pressure between zones ① and ② drops to 0.14 bar. The water from zone ② discharges to atmosphere. In this way the danger of back pressure or back syphonage into the supply network is prevented. The pipework connection is interrupted and the drinking water network is protected.

Options

BA295STN-3/4WH = Standard version with threaded connections 1"

Nominal size diameter	DN	3/4"
Connection size	R	1"
Weight	kg	0.8
Dimensions	mm	
	L	58
	H	148
DVGW-Approval No.		DW-6305 BR0284



Accessories

TK295 Test kit

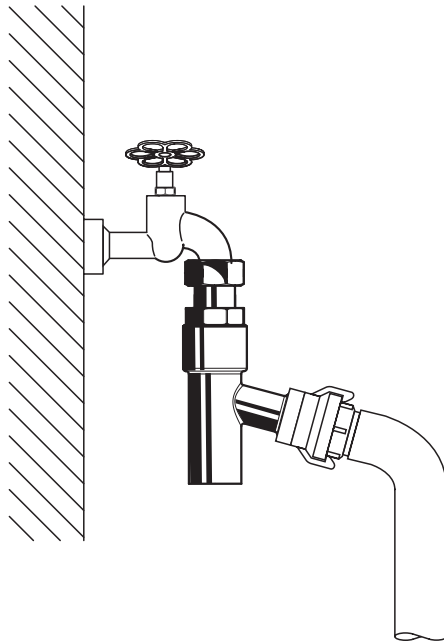
Electronic pressure measuring device with digital indicator, battery-operated. With case and accessories, ideal for inspection and maintenance of backflow preventer type BA.

TKA295 Test kit

Analogue pressure measuring device with differential pressure display. With case and accessories, ideal for inspection and maintenance of backflow preventer type BA.

WS295STN Maintenance-set

Maintenance-set for BA295STN type backflow preventers for use with Test kit TK295 resp. TKA295

Installation Example

BA295STN-3/4WH on outside garden tap

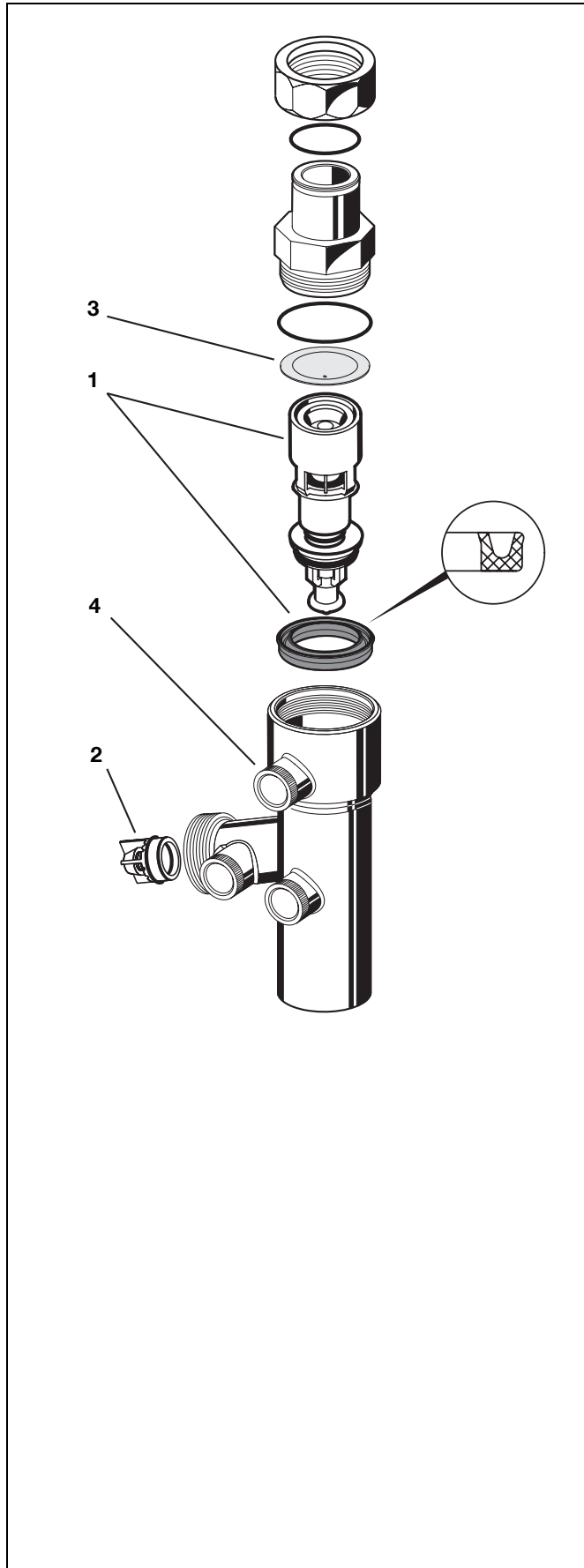
Installation Guidelines

- Installation downstream of outlet valve
- Backflow preventers of this type have an integral strainer which protects the device from the ingress of dirt. With highly polluted water a fine filter should be installed upstream to ensure the correct function of the device.
- The installation location should be protected against frost. For use on outside garden taps, the backflow preventer has to be dismantled before the winter.

Typical Applications

The following are some typical applications:

- Events like exhibitions, folk festivals, etc.
- Construction sites
- Emergency supply
- Outside garden taps
- Filling taps
- Household taps



Spare Parts

**Backflow preventer BA295STN-3/4WH,
from 2010 onwards**

1	Cartridge insert	1/2" - 1"	0903733
2	Check valve insert	1/2" - 1"	2110200
3	Filter	1/2" - 1"	S295STN
4	Set of blanking plugs	1/2" - 1"	0903886

Automation and Control Solutions

Honeywell GmbH
 Hardhofweg
 D-74821 Mosbach
 Phone: (49) 6261 810
 Fax: (49) 6261 81309
<http://europe.hbc.honeywell.com>
www.honeywell.com

Manufactured for and on behalf of the
 Environmental and Combustion Controls Division
 of Honeywell Technologies Sàrl, Z.A. La Pièce 16,
 1180 Rolle, Switzerland by its Authorised Repre-
 sentative Honeywell GmbH

EN0H-1241GE23 R0710
 Subject to change without notice
 © 2010 Honeywell GmbH

Honeywell