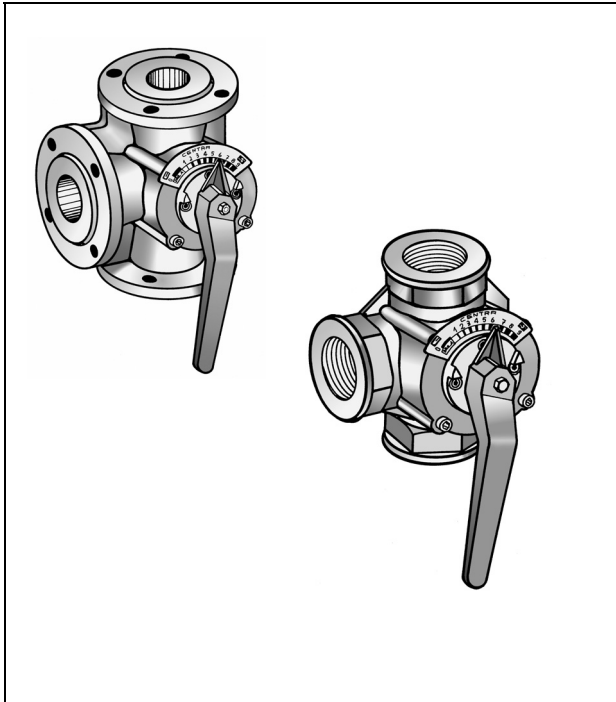




## CENTRA DRxxGMLA / DRxxxGFLA

### 3-WAY ROTARY VALVES

#### PRODUCT DATA



#### APPLICATION

The DRxxGMLA / DRxxxGFLA rotary valves provide water temperature control in heating and air conditioning applications.

These valves are designed for accurate mixing control of supply water temperature in heating and air conditioning systems.

Its sturdy construction ensures a long and reliable operating life when used in combination with M6061/VMM and M7061/VRM actuators.

#### FEATURES

- Chrome-plated plug for long life.
- Optimized characteristic for supply water temperature control
- Protected against corrosion and blocking
- Reliable mounting for electrical actuators
- Clear position indicator
- Wide range of flow rates with suitable actuators

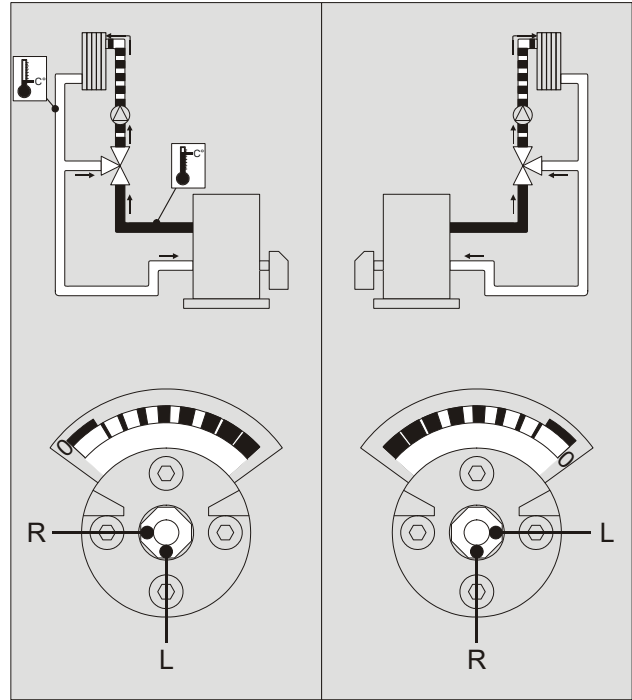
#### SPECIFICATIONS

Nominal static pressure	6 bar, 600kPa
Maximum pressure drop	depending on type (see section "Specification and Order Number" on page 2)
Leakage rate	1% of $k_{vs}$
Ports	Internal threads / flange in accordance with DIN EN 1092-2 depending on type (see section "Specification and Order Number" on page 2)
Angle of rotation	90 °
Internal threads	8 windings long
Packing	Double o-ring sealing
Material body	Cast iron
Material inner parts	Chrome-plated cast iron
Medium	Heating water according to VDI 2035 (oxygen concentration less than 0.2 g/m <sup>3</sup> , pH 8...9.5), glycol-water mixtures (max. 50% glycol)
Water temperatures in the valve	2 to 130 °C, non-condensing
Weight	depend on type (see sections "Dimensions with DRxxGMLA (mm)" and "Dimensions with DRxxxGFLA (mm)" on page 3)
Flow characteristic	equal percentage

## OPERATION

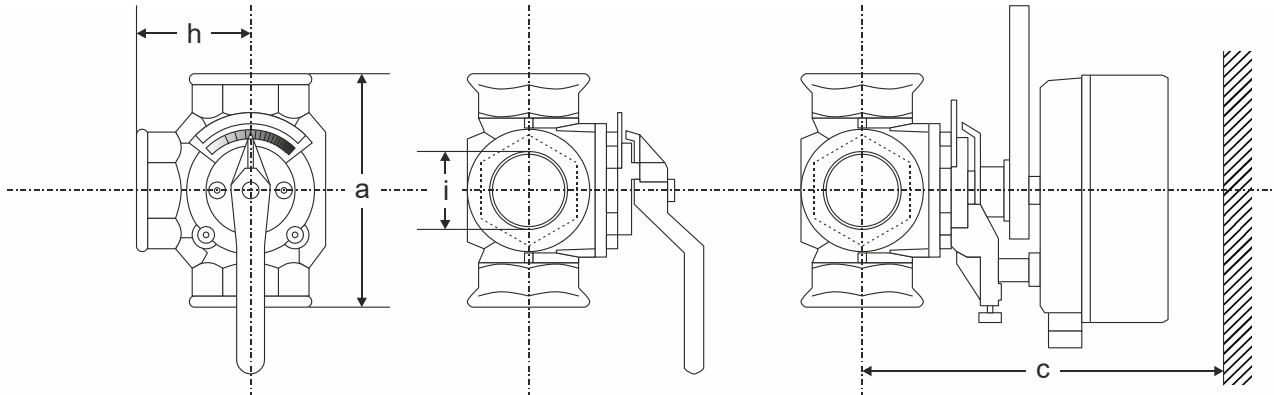
The valve controls a mixing water temperature with a rotating plug. The plug adjusts with two control curves the water flow of two inputs. The required flow water temperature is reached by adding a proportion of return water to the boiler hot water. For optimum control performance, the DR has special control characteristics.

## MOUNTING



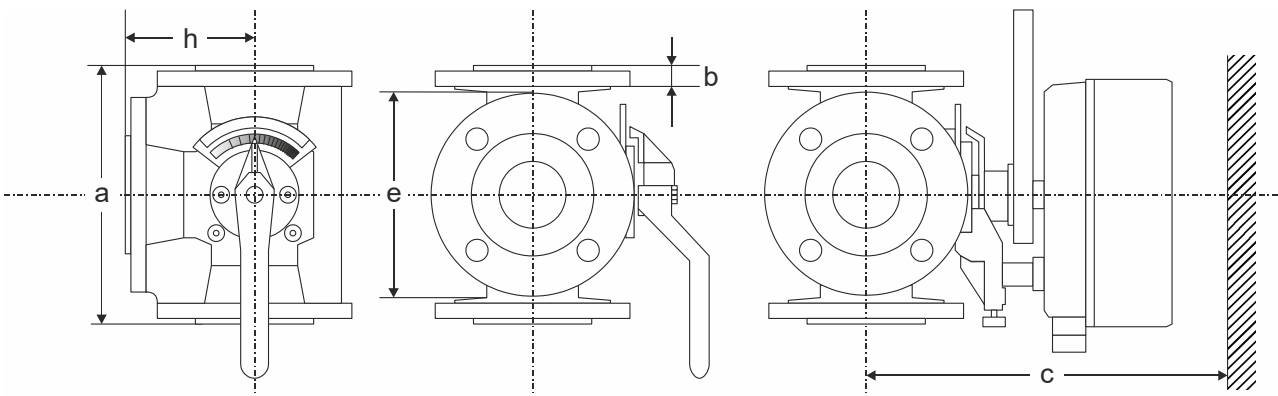
## DIMENSIONS WITH DRxxGMLA (MM)

type	DN	a	c	wrench size	h	i	net weight
DR15GMLA	15	110	230	41	55	R ½ in.	2.2 kg
DR20GMLA	20	110	230	46	55	R ¾ in.	2.3 kg
DR25GMLA	25	115	230	50	58	R 1 in.	2.4 kg
DR32GMLA	32	140	240	60	70	R 1 ¼ in.	4.1 kg
DR40GMLA	40	150	240	65	75	R 1 ½ in.	4.3 kg



## DIMENSIONS WITH DRxxxGFLA (MM)

type	DN	a	b	c	e	h	net weight
DR20GFLA	20	140	15	230	90	70	3.5 kg
DR25GFLA	25	150	15	230	100	75	4.0 kg
DR32GFLA	32	160	17	240	120	80	6.6 kg
DR40GFLA	40	170	16	240	130	85	7.1 kg
DR50GFLA	50	190	16	250	140	95	9.8 kg
DR65GFLA	65	210	16	270	160	105	12.3 kg
DR80GFLA	80	250	18	270	190	125	21.4 kg
DR100GFLA	100	270	18	290	210	135	26.5 kg
DR125GFLA	125	310	20	320	240	155	42.0 kg
DR150GFLA	150	330	20	325	265	165	49.0 kg
DR200GFLA	200	390	22	365	320	195	78.0 kg



## SPECIFICATION AND ORDER NUMBER

DN	kVS [m <sup>3</sup> /h]	$\Delta p$ max [kPa]	nominal torque [Nm]	OS no. internal thread	OS no. flange
15	4,0	100	20	DR15GMLA	–
20	6,3	100	20	DR20GMLA	DR20GFLA
25	10	100	20	DR25GMLA	DR25GFLA
32	16	100	20	DR32GMLA	DR32GFLA
40	25	100	20	DR40GMLA	DR40GFLA
50	40	100	20	–	DR50GFLA
65	63	100	20	–	DR65GFLA
80	100	100	30	–	DR80GFLA
100	160	100	40	–	DR100GFLA
125	250	70	40	–	DR125GFLA
150	630	50	40	–	DR150GFLA
200	1600	50	40	–	DR200GFLA

## SUITABLE ACTUATORS

M6061A/VMMxx-24 (24V; floating); M6061L/VMMxx (230/240V; floating); M7061E/VRM20 (0/2...10V modulating)

### OS Numbers

DN	actuator 24 Vac floating M6061A/VMMxx-24			actuator 230 Vac floating M6061L/VMMxx			actuator 0/2...10 Vdc modulating M7061E/VRM20
	20 Nm	30 Nm	40 Nm	20 Nm	30 Nm	40 Nm	20 Nm
15	M6061A1021 VMM20-24			M6061L1027 VMM20			M7061E1020 VRM20
20							
25							
32							
40							
50							
65							
80		M6061A1039 VMM30-24		M6061L1035 VMM30			
100							
125							
150							
200			M6061A1047 VMM40-24			M6061L1043 VMM40	



Manufactured for  
and on behalf of  
Pittway Sàrl, Z.A., La Pièce 4,  
1180 Rolle, Switzerland

For more information  
[homecomfort.resideo.com/europe](http://homecomfort.resideo.com/europe)

Ademco 1 GmbH, Hardhofweg 40,  
74821 MOSBACH, GERMANY

Phone: +49 6261 810  
Fax: +49 6261 81309