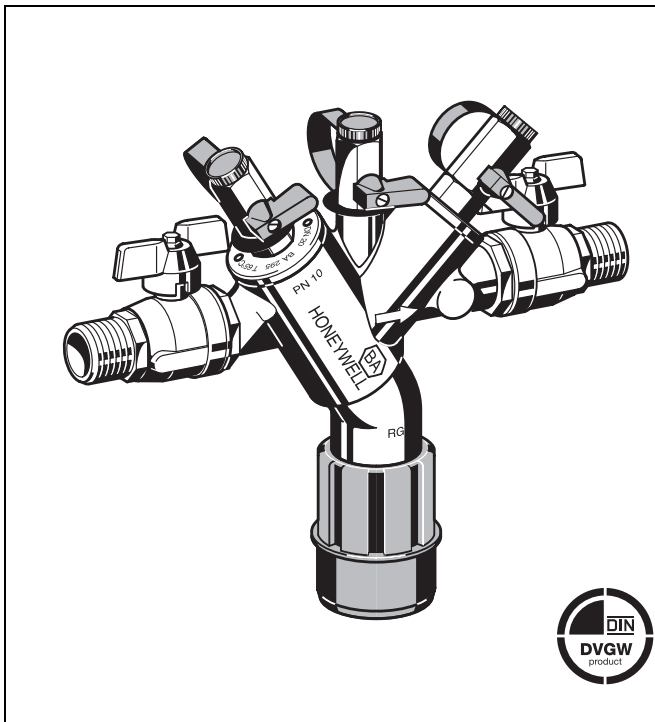


BA295 Compact

Backflow Preventer

Compact construction with threaded connectors

Product specification sheet



Construction

The backflow preventer consists of:

- Housing
- Integral strainer, mesh size approx. 0.6 mm
- Valve cartridge with integral check valve and discharge valve
- Outlet check valve
- Three ball valves for the connection of a differential pressure gauge
- Connection fittings
- Discharge connection
- Inlet and outlet shutoff valve

Materials

- Red bronze housing
- High-quality synthetic material valve cartridge
- High-quality synthetic material or red bronze check valves
- Brass ball valves
- Seals in NBR and EPDM
- Discharge connection
DN15-25 High quality synthetic material
DN32-50 Red bronze

Application

Backflow preventers of this type are suitable for the protection of drinking water systems against back pressure, back flow and back syphonage.

Fluids up to and including liquid category 4 to EN 1717 are protected.

They can be used for residential buildings, industrial and commercial purposes within the scope of their specification.

Special Features

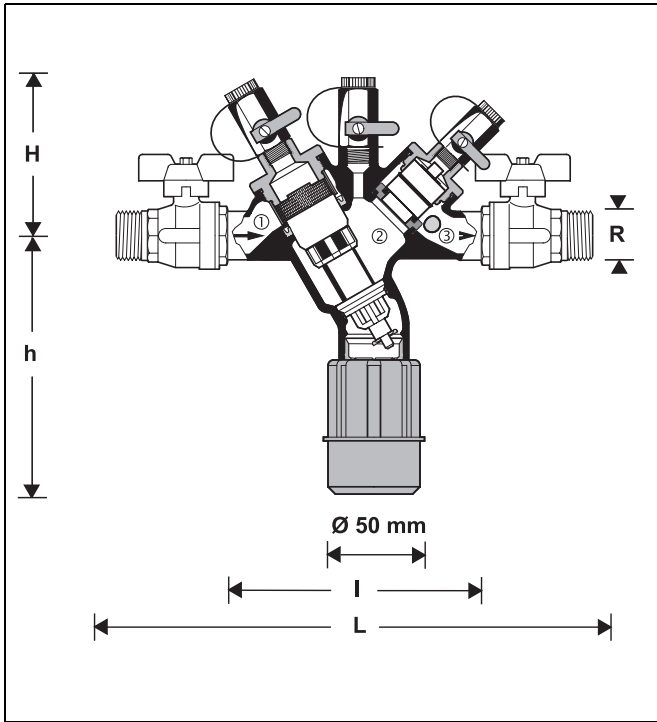
- DIN/DVGW approved
- Optimal protection of the drinking water supply system
- Integral inlet strainer
- Integral inlet and outlet shutoff valves
- Inlet check valve and discharge valve are combined in one cartridge
- Minimal maintenance required, because the valve cartridge is completely replaceable
- Optimized design prevents water stagnation
- Compact construction
- Easy access to all internal components
- Low pressure loss and high flow performance
- Triple security - two check valves and a discharge valve separate the backflow preventer into three pressure zones
- Noise tested to class 2
- Meets KTW recommendations for potable water

Range of Application

Medium	Water
Maximum inlet pressure	10.0 bar
Minimum inlet pressure	1.5 bar

Technical Data

Installation position	Horizontal with discharge valve downwards
Max. operating temperature	65 °C
Discharge pipe connection	DN50 for connection sizes 1/2" - 1" DN70 for connection sizes 1 1/4" - 2"
Connection size	1/2" - 2"



Method of Operation

BA type backflow preventers are divided into three pressure zones. The pressure in zone ① is higher than in zone ②, which in turn is higher than in zone ③. A discharge valve is connected to zone ② which opens at the latest when the differential pressure between zones ① and ② falls to 0.14 bar. The water from zone ② discharges to atmosphere. In this way the danger of back pressure or back syphonage into the supply network is prevented. The pipework connection is interrupted and the drinking water network is protected.

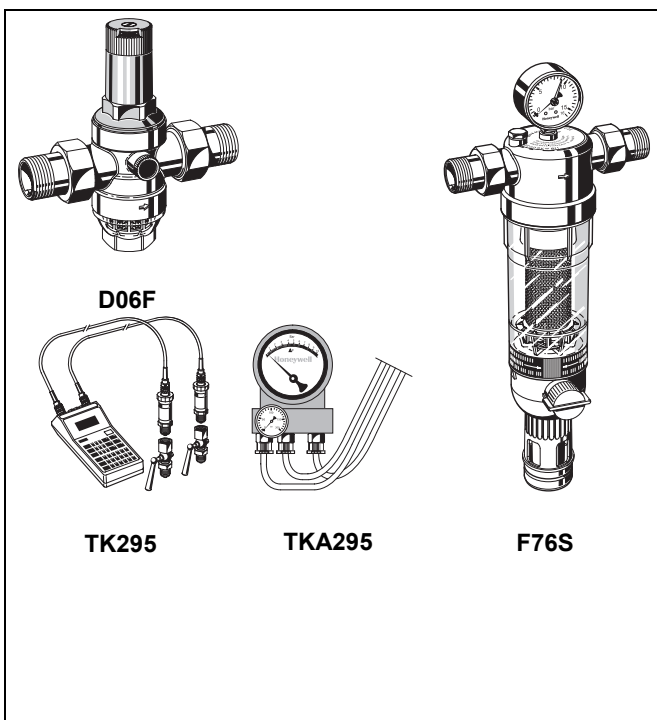
Options

BA295C-... A = With shutoff valve, threaded male connections 1/2", 3/4", 1 1/2" and 2"

BA295C-... B = With shutoff valve, threaded male connections 1" and 1 1/4"

Connection size

Connection size	R	1/2"	3/4"	1"	1 1/4"	1 1/2"	2"	
Weight	approx. kg	1.95	2.2	2.5	6	6.5	7.4	
Dimensions	mm	L	307	322	349	454	477	526
		l	135	140	146	220	220	230
		H	80	80	80	284	284	284
		h	138	138	138	162	162	162
		DIN/DVGW Approval No.		DW - 6305 BN 0290				



Accessories

D06F Pressure reducing valve

Noise protected pressure reducing valve with setting scale. Maximum inlet pressure 16 bar, with brass filter bowl 25 bar, outlet pressure range 1.5 - 6.0 bar
 A = With clear filter bowl up to 40 °C / 16 bar
 B = With brass filter bowl up to 70 °C / 25 bar

TK295 Test kit

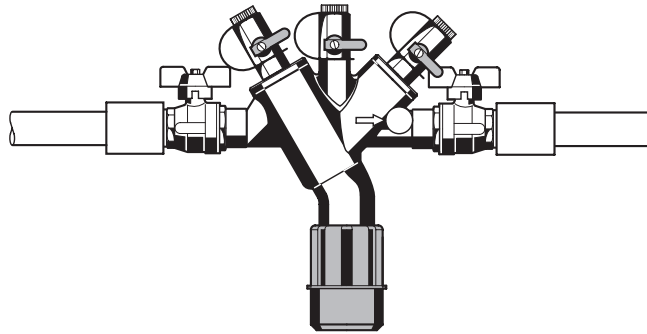
Electronic pressure measuring device with digital indicator, battery-operated. With case and accessories, ideal for inspection and maintenance of backflow preventer type BA.

TKA295 Test kit

Analogue pressure measuring device with differential pressure display. With case and accessories, ideal for inspection and maintenance of backflow preventer type BA.

F76S Fine filter, reverse rinsable

AA= With clear filter bowl
 AAM= With red bronze filter bowl

Installation Example**Installation Guidelines**

- Install in horizontal pipework with the discharge valve downwards
- Ensure good access
 - o Simplifies maintenance and inspection
- Backflow preventers of this type have an integral strainer which protects the device from the ingress of dirt. With highly polluted water a fine filter should be installed upstream to ensure the correct function of the device.
- Do not install in places where flooding can occur
- The installation environment should be protected against frost and ventilated well
- Install discharge pipework which has adequate capacity

Typical Applications

Backflow preventers are ideally suited for industrial and commercial applications.

However they can also be used for supplies to residential buildings within the scope of their specification.

The following are some typical applications:

- Chemical mixing plant
- Chemical cleaning appliances
- Softening and deacidification plant without DVGW approval. Regeneration with and without acid and alkaline solutions. Disinfection with Formalin
- Film development plant without DVGW certification
- Galvanic bath
- Boilers and automatic pressure fermentation equipment
- Heating filling systems, water with inhibitors
- High pressure cleaners with chemical supplementation
- Laboratory workbenches
- Milking machines
- Float valves



Spare Parts

Backflow preventer BA295C, from 2002 onwards

No.	Description	Dimension	Part No.
1	Cartridge insert	1/2" - 1"	0903733
	complete	1 1/4" - 2"	0903745
2	Check valve complete with Check valve cone and spring made of red bronze	DN15, DN20, DN25 up to 05/06	RV295-1/2
		DN32, DN40, DN50 up to 05/06	RV295-1 1/4
		Check valve cartridge with adapter ring	
		DN15 up to 02/09	RV295-1/2
		DN20 up to 10/08	RV295-1/2
	DN25 up to 12/08	RV295-1/2	
	DN32 up to 08/08	RV295-1 1/4	
	DN40, DN50 up to 05/09	RV295-1 1/4	
Check valve cartridge without adapter ring			
	DN15, DN20, DN25		RV295-1/2E
	DN32, DN40, DN40		RV295-1 1/4E
3	Shutoff valve	1/2"	2192900
		3/4"	2193100
		1"	2193200
		1 1/4"	2193300
		1 1/2"	2193400
		2"	2193500

Automation and Control Solutions

Honeywell GmbH
 Hardhofweg
 D-74821 Mosbach
 Phone: (49) 6261 810
 Fax: (49) 6261 81309
<http://europe.hbc.honeywell.com>
www.honeywell.com

Manufactured for and on behalf of the
 Environmental and Combustion Controls Division
 of Honeywell Technologies Sàrl, Rolle, Z.A. La
 Pièce 16, Switzerland by its Authorised Repre-
 sentative Honeywell GmbH

EN0H-1224GE23 R0409
 Subject to change without notice
 © 2009 Honeywell GmbH

Honeywell